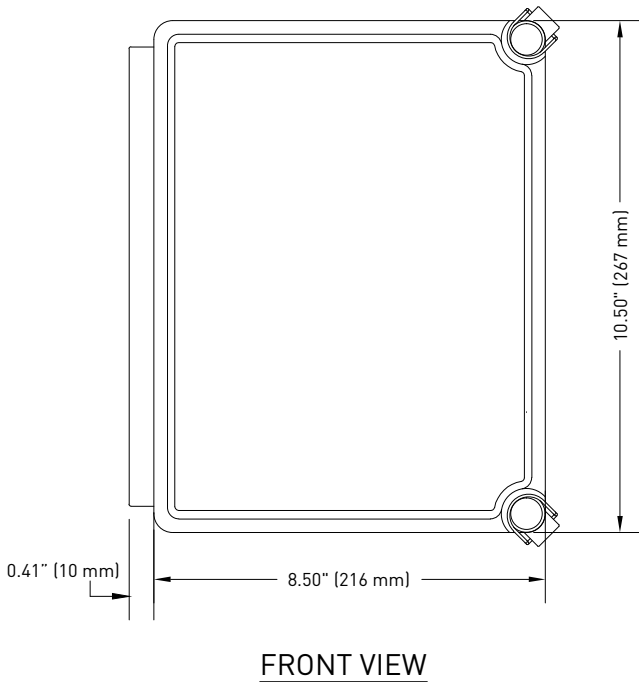


Raychem MIJB-1086-A

MI POWER JUNCTION BOX

Junction Box with Pre-Drilled Earth Plate for Use with MI Heating Units



PRODUCT OVERVIEW

The efficient design and simple construction of these enclosures make them durable in corrosive environments, yet aesthetically pleasing.

Corner latches provide unobstructed access.

The continuous hinge pin provides a secure seal and double latching creates added security.

Typical uses include power, splice and end box for 3-phase system. It accommodates up to three power cables:

- One power cable in and up to three MI cables out
- One power cable in, one power cable out and two MI cables out
- Two D or E design MI cables in and two D or E design MI cables out (splice box)
- Three B design MI cables in and three B design MI cables out (splice box)
- Star termination for 3-phase B design MI cables
- 3-phase energization of three B design MI cables

CONSTRUCTION

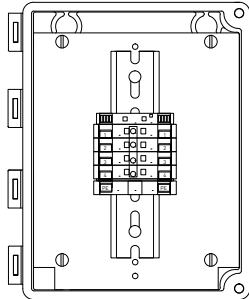
- Compression molded fibreglass has outstanding chemical and temperature resistance qualities and exhibits excellent weatherability and physical properties
- Light gray finish inside and out. Gasket assures water-tight and dust-tight seal
- Polyester mounting tabs and stainless steel attachment screws are provided with each enclosure
- Two corrosion resistant polyester quick release latches are located in corners to provide unobstructed access to enclosure
- Removable hinged cover attached to body with stainless steel hinge pin
- Hinge pin and bail are corrosion resistant Type 316 stainless steel. Padlock provisions included in each latch
- Inside dimensions: 10" high x 8" wide x 6" deep (250 x 200 x 150 mm)
- Entries: Up to 11 x 1/2" and 8 x 3/4" - Use a step bit to drill out or enlarge any holes in fibreglass required for hubs/connectors
- Box includes earthing plate on three sides and back of box and is pre-punched for eleven 1/2" and eight 3/4" hubs

APPROVALS

CSA approved Type 4X enclosure and certified electrical assembly
 Area classification - Hazardous locations CL 1, DIV2 Groups B, C and D, T5
 Enclosure type: Type 4X
 Ambient temperature rating: -50°C to +40°C
 Enclosure flammability evaluated per UL 508A



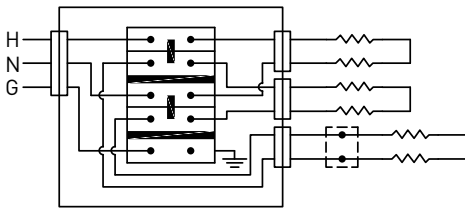
ELECTRICAL SPECIFICATIONS



- Maximum operating voltage 600Vac
- Maximum 35A per terminal, rated 18AWG to 6AWG
- Maximum circuit breaker rating - 40A (loaded to 80% has a maximum current of 32A)
- Maximum total connected load - 39.3kW
- Order a separate MIJB-LPWR-KIT for #2 or #4AWG power cable to downsize to #6AWG (35A)
- Consider MI cold lead cable gland size, hub size and power cable size in selecting appropriate box
- Power cable gland and hubs for MI cold lead glands not included

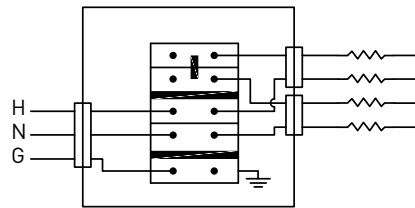
TYPICAL ELECTRICAL CONNECTION OPTIONS

MIJB-1086-A-PARALLEL

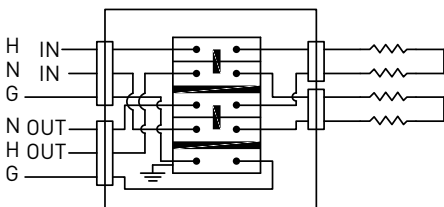


- USE WITH A, E OR D DESIGN MI CABLES.
- POWER WIRES TO BE FIELD Routed FROM MARSHALLING BOX TO INDIVIDUAL EHT POWER BOXES (I.E. MIJB-864-A-PWR,JBS, ETC...).

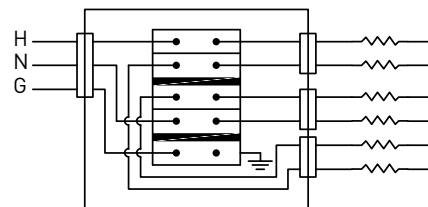
MIJB-1086-A-SERIES



- FIELD TO REMOVE ONE 2-POLE JUMPER AS SHOWN.
- USE WITH A, E OR D DESIGN MI CABLES.



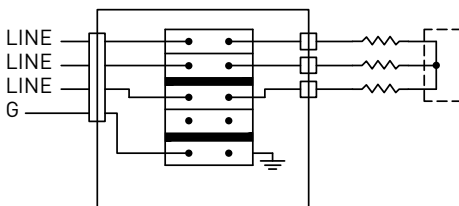
- USE WITH A, E OR D DESIGN MI CABLES.



- FIELD TO REMOVE TWO 2-POLE JUMPERS AS SHOWN.
- USE WITH A, E OR D DESIGN MI CABLES.

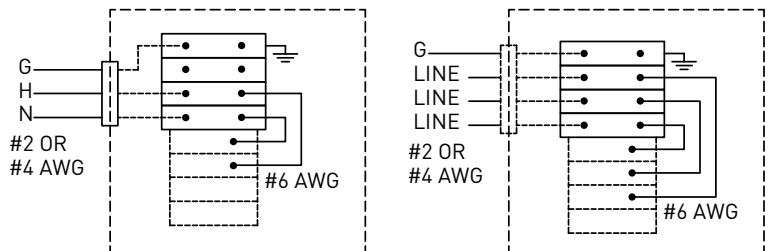
POWER CABLE DOWNSIZING OPTION:

MIJB-1086-A-3PWR



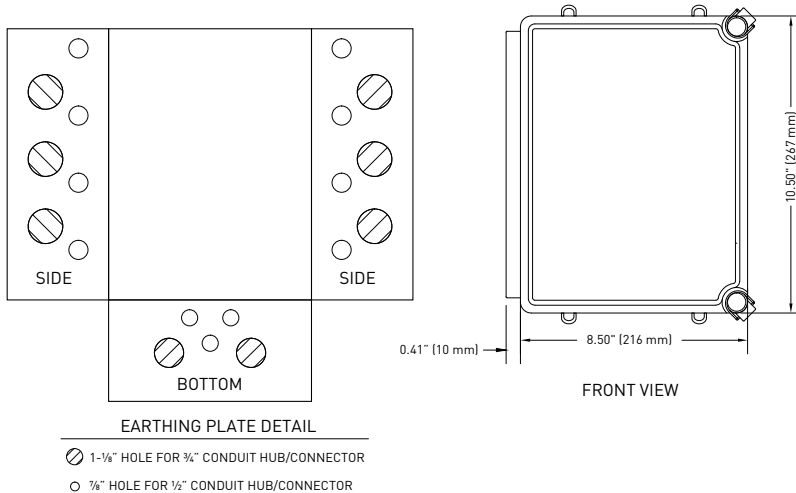
- FIELD TO REMOVE TWO 2-POLE JUMPERS AS SHOWN.
- USE WITH B DESIGN MI CABLES.
- USE A MIJB-864-A-STAR TO TERMINATE OR AN MIJB-864-A-SPLC TO CONTINUE THE 3-PHASE HEATER CABLE.

MIJB-LPWR-KIT



- USED TO DOWNSIZE #2 OR #4 AWG POWER CABLES.
- ORDER MIJB-LPWR-KIT SEPARATELY IF REQUIRED.
- CONSISTS OF 3 POWER TERMINAL BLOCKS, 1 GROUND TERMINAL BLOCK, AND #6 AWG JUMPER WIRES.

ENCLOSURE DETAIL

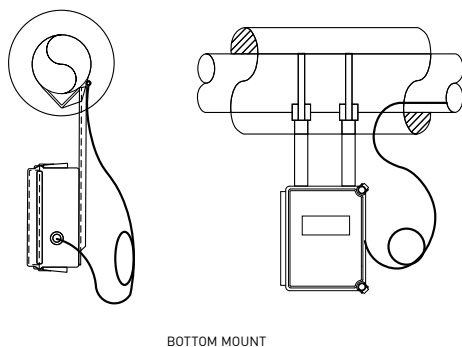


- Junction boxes can be mounted using holes in back and screws provided, or using four mounting tabs supplied
- Hinge can be moved to other side of box by rotating earthing plate 180°
- Earth plate is fabricated from galvanized steel and is bonded to internal PE terminal block for bonding of hubs and connectors

GENERAL

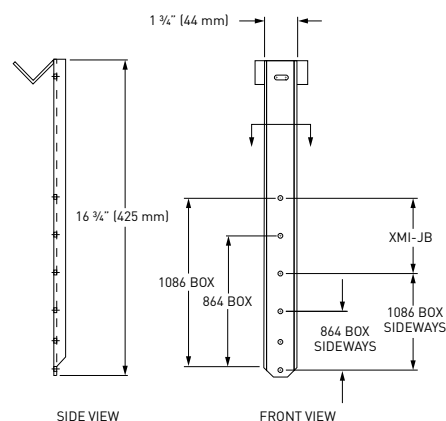
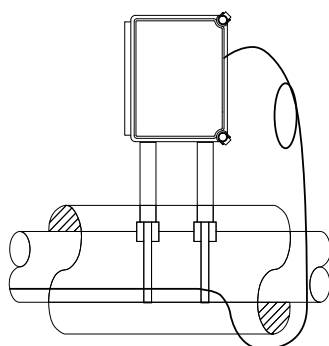
Lamacoids are not included.
Two mounting brackets (MBRP-B) and two pipe straps must be ordered separately for installation.

ENCLOSURE MOUNTING BRACKET



Product Overview

- Mounting bracket for MIJB series fiberglass enclosures which enables enclosure installation and connection prior to application of insulation and cladding
- Installation time reduction as electrician does not need to return after cladding is installed
- 304SS Stainless steel pipe support bracket for MIJB-864-A, MIJB-1086-A and MIJB-1086-B fiberglass enclosures
- Two brackets are required to support each enclosure. Each bracket requires one pipe strap
- Suitable for pipe temperatures up to 900°F (480°C)



ORDERING DETAILS

Description	Catalog number	Part number	Weight/lbs
Enclosure	MIJB-1086-A	T0002053	8.00lbs

Spare Parts and Accessories

Mounting Bracket for MIJB series fiberglass enclosures	MBRP-B	T0002003	1.1lbs
Terminal kit for MIJB-1086 model	MIJB-LPWR-KIT	T1005000	0.5lbs



WWW.PENTAIRTHERMAL.COM

NORTH AMERICA

Tel: +1.800.545.6258
Fax: +1.800.527.5703
Tel: +1.650.216.1526
Fax: +1.650.474.7215
thermal.info@pentair.com

EUROPE, MIDDLE EAST, AFRICA

Tel: +32.16.213.511
Fax: +32.16.213.603
thermal.info@pentair.com

ASIA PACIFIC

Tel: +86.21.2412.1688
Fax: +86.21.5426.2937
cn.thermal.info@pentair.com

LATIN AMERICA

Tel.: +1.713.868.4800
Fax: +1.713.868.2333
thermal.info@pentair.com

Pentair is owned by Pentair or its global affiliates. All other trademarks are the property of their respective owners. Pentair reserves the right to change specifications without prior notice.

© 2004 - 2016 Pentair.